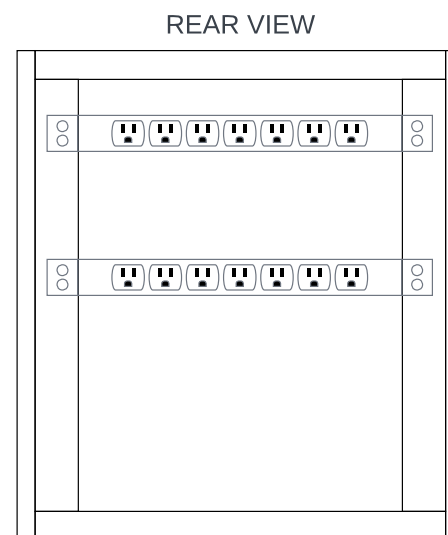
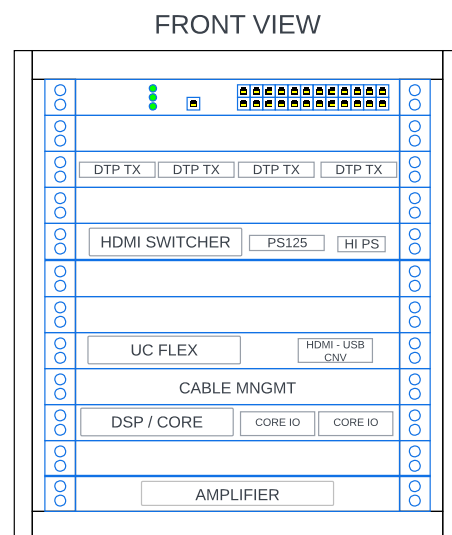
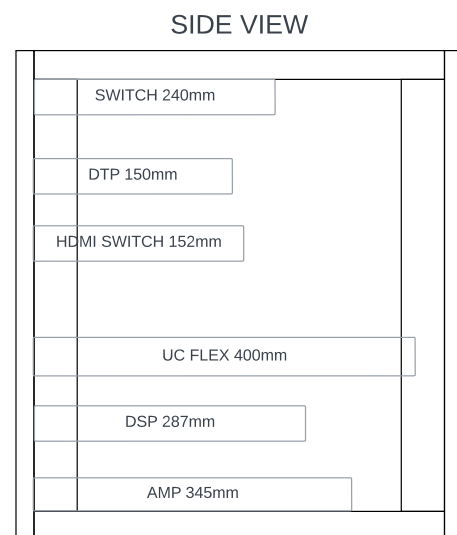
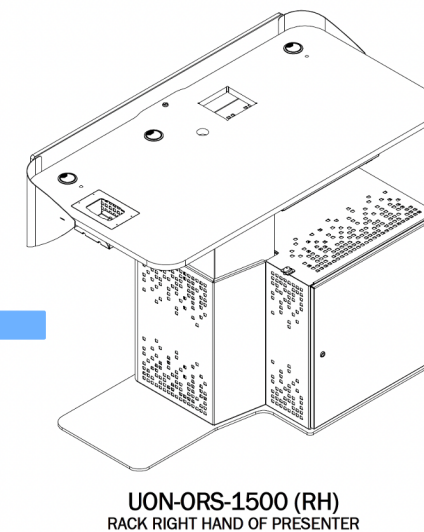
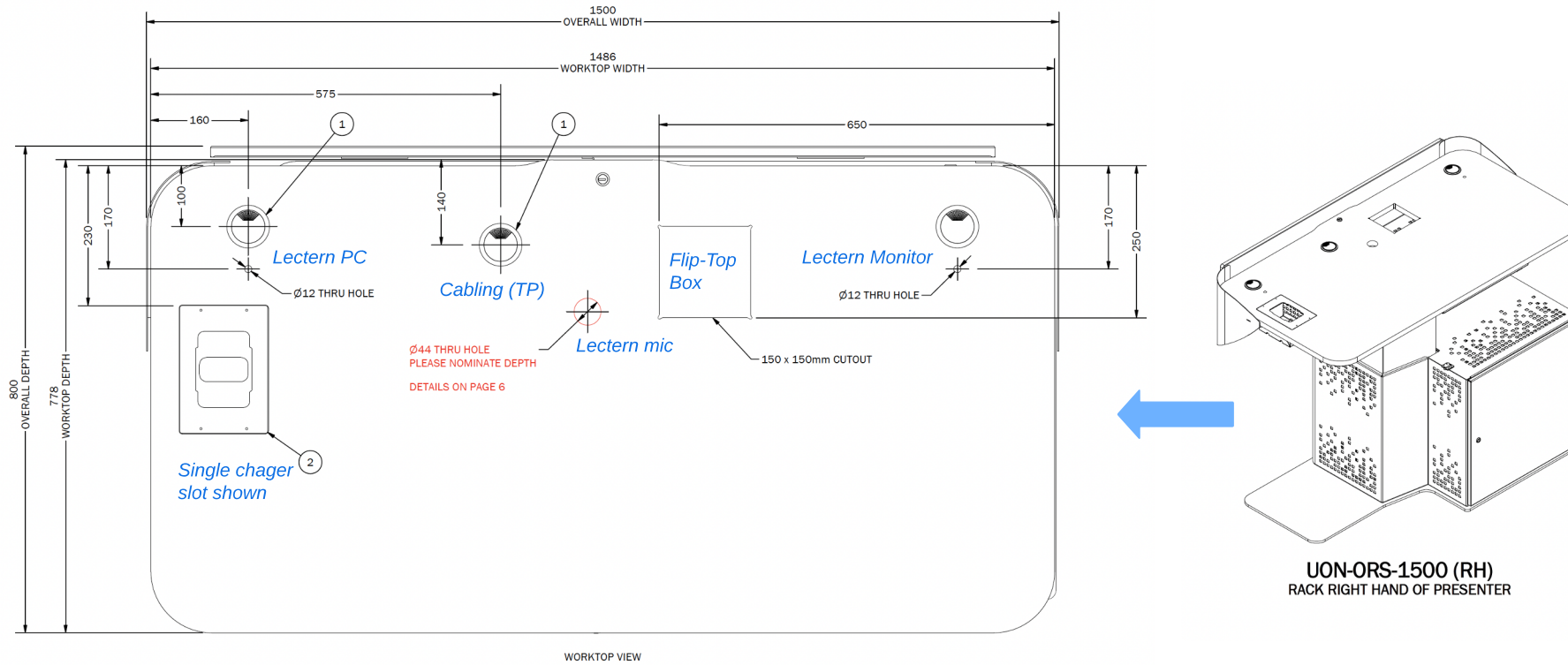
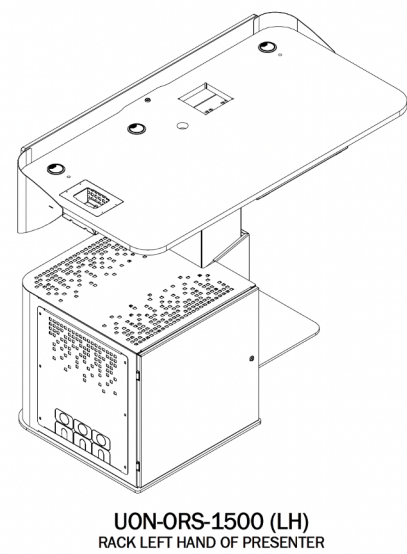


Lectern Top - RH Rack Version Shown



MAIN PDU A (MANAGED)

** Rear port require C14 (male) to 3-pin 240V adaptors

- 1 - Zoom PC
- 2 - QSys Core
- 3 - QSys Core Expanders (where app.)
- 4. Doc Camera PSU
- 5. PDU B - USB and HDMI Extenders
- 6. PDU C - Mics and HA TX
- 7. PDU D - Lectern Top PC, Monitor Fliptop
- 8a. Power Amp A
- 8b. Power Amp B

DRAWING DETAILS



TITLE: Orion-S UoN Custom:
Concept pending approval
ROOM TYPE: Teaching Spaces
STATUS: For Conditional Release
DATE: May 7, 2026
REVISION: 1
DRAWING NO:

CHANGE LOG

LEGEND

DRAWN BY

Tom Jovanovic
Senior DevOps Engineer
M: +61 (0)429 984 283
E: tom.jovanovic@newcastle.edu.au

John Gibson
DevOps Engineering Specialist
M: +61 (0)433 251 165
E: john.a.gibson@newcastle.edu.au

Jefferson Dowley
DevOps Engineering Specialist
M: +61 (0)403 248 222
E: jefferson.dowley@newcastle.edu.au

Interactive Technologies
Digital Technology Services
Resources Division

The University of Newcastle
University Drive, Callaghan NSW 2308 Australia

All Schematics remain the intellectual property of the University of Newcastle.

DRAWING STATUS

FOR CONDITIONAL RELEASE

DRAWING DETAILS



TITLE: Lectern Layout (Podion MML-2/MML-3)
ROOM TYPE: Teaching Space
STATUS: For Release
DATE: May 2025
REVISION: 1
DRAWING NO:

CHANGE LOG

LEGEND

DRAWN BY

Tom Jovanovic
 Senior DevOps Engineer
 M: +61 (0)429 984 283
 E: tom.jovanovic@newcastle.edu.au

John Gibson
 DevOps Engineering Specialist
 M: +61 (0)433 251 165
 E: john.a.gibson@newcastle.edu.au

Jefferson Dowley
 DevOps Engineering Specialist
 M: +61 (0)403 248 222
 E: jefferson.dowley@newcastle.edu.au

Interactive Technologies
 Digital Technology Services
 Resources Division

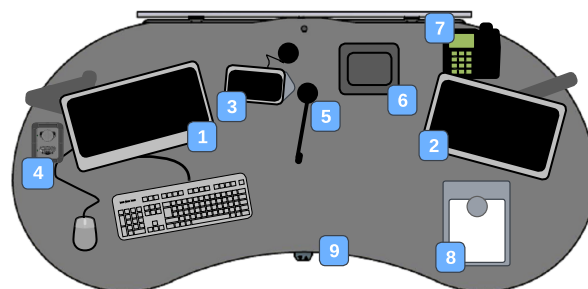
The University of Newcastle
 University Drive, Callaghan NSW 2308 Australia

All Schematics remain the intellectual property of the University of Newcastle.

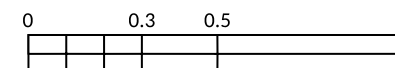
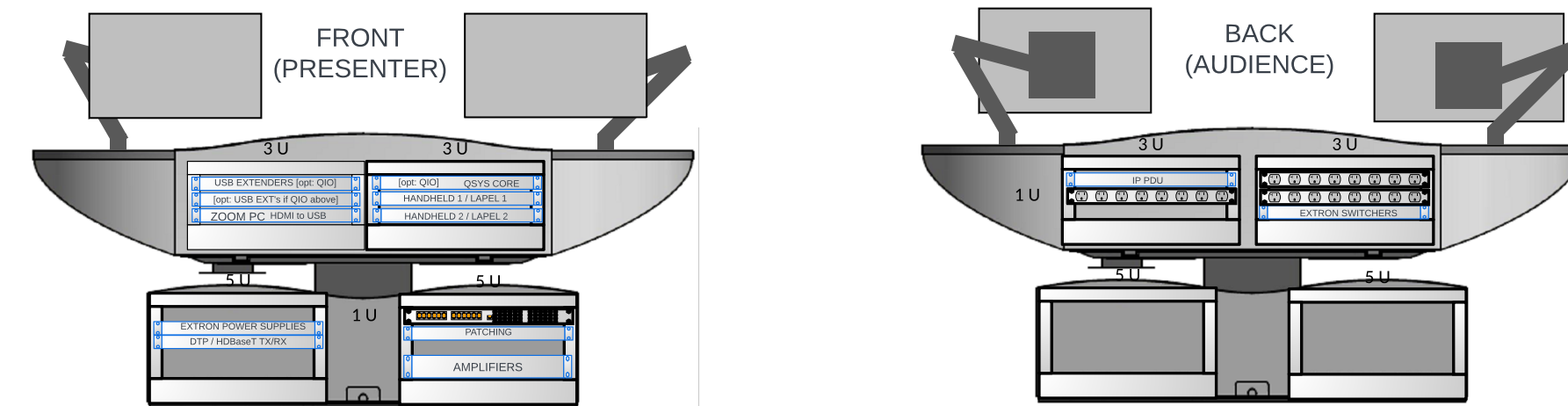
DRAWING STATUS

FOR RELEASE

- 1 - Resident lectern all-in-one PC for presentation, on adjustable swivel arm
- 2 - Monitor showing Zoom session participants, on adjustable swivel arm
- 3 - Zoom control panel, wired
- 4 - Wireless microphones (lapel, handheld) in charging cradle (cutout)
- 5 - Lectern microphone (fixed, gooseneck)
- 6 - Flip top cradle with wired/HDMI sharing connection, 240V and USB charging
- 7 - Classroom phone
- 8 - Document camera
- 9 - Lectern height adjustment buttons



Podion MML-3-B shown.
 Same layout should be followed when outfitting an MML-2-B.



DRAWING DETAILS



TITLE: Lectern Top Layout
ROOM TYPE: MML-2 Cutout
STATUS: Teaching Space
STATUS: For Release
DATE: May 2025
REVISION: 1
DRAWING NO.:

CHANGE LOG

LEGEND

DRAWN BY

Tom Jovanovic
 Senior DevOps Engineer
 M: +61 (0)429 984 283
 E: tom.jovanovic@newcastle.edu.au

John Gibson
 DevOps Engineering Specialist
 M: +61 (0)433 251 165
 E: john.a.gibson@newcastle.edu.au

Jefferson Dowley
 DevOps Engineering Specialist
 M: +61 (0)403 248 222
 E: jefferson.dowley@newcastle.edu.au

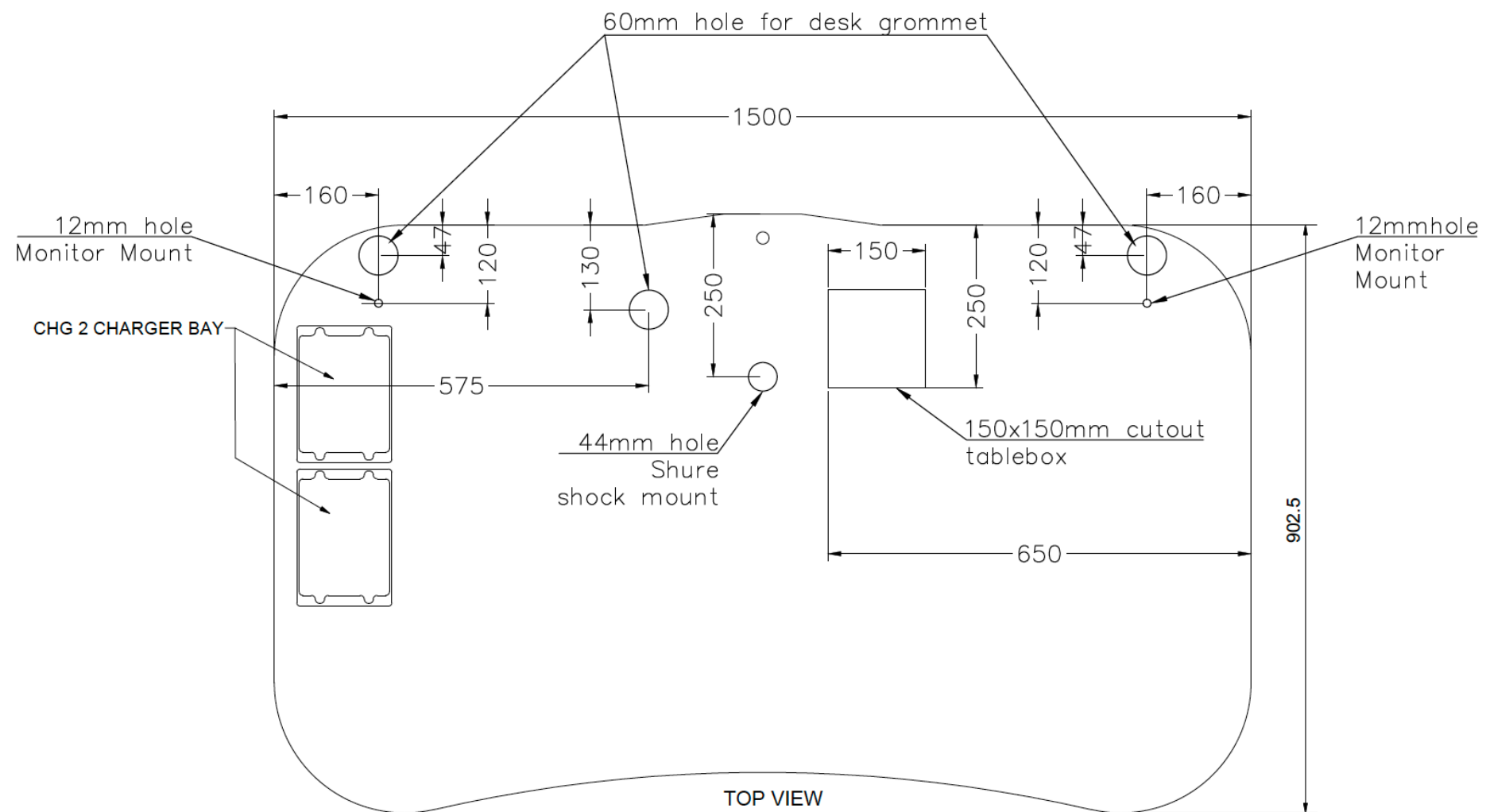
Interactive Technologies
 Digital Technology Services
 Resources Division

The University of Newcastle
 University Drive, Callaghan NSW 2308 Australia

All Schematics remain the intellectual property of the University of Newcastle.

DRAWING STATUS

FOR RELEASE



TOP VIEW

DRAWING DETAILS



TITLE: Lectern Top Layout Orion-1
ROOM TYPE: In-Person teaching
STATUS: For Release
DATE: May 2025
REVISION: 1
DRAWING NO:

CHANGE LOG

LEGEND

DRAWN BY

Tom Jovanovic
 Senior DevOps Engineer
 M: +61 (0)429 984 283
 E: tom.jovanovic@newcastle.edu.au

John Gibson
 DevOps Engineering Specialist
 M: +61 (0)433 251 165
 E: john.a.gibson@newcastle.edu.au

Jefferson Dowley
 DevOps Engineering Specialist
 M: +61 (0)403 248 222
 E: jefferson.dowley@newcastle.edu.au

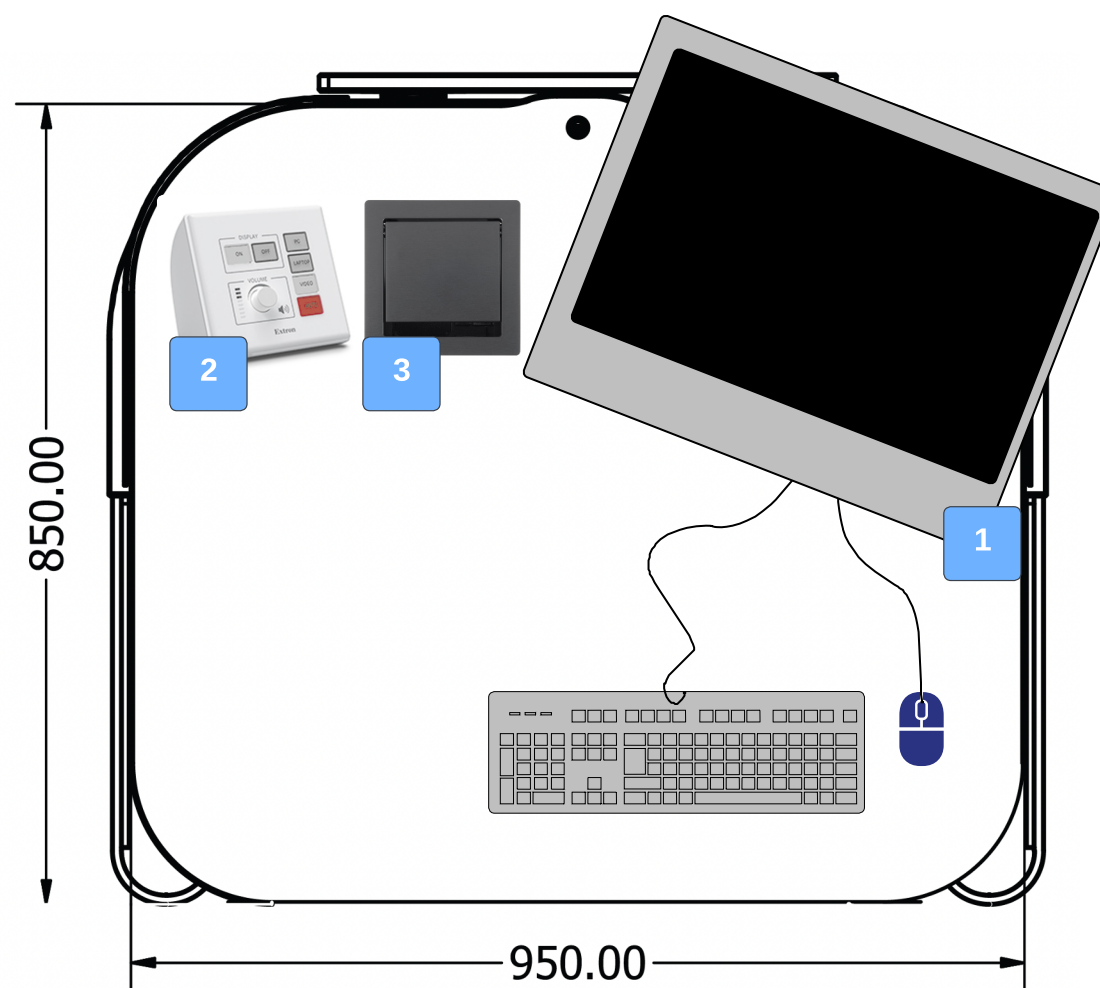
Interactive Technologies
 Digital Technology Services
 Resources Division

The University of Newcastle
 University Drive, Callaghan NSW 2308 Australia

All Schematics remain the intellectual property of the University of Newcastle.

DRAWING STATUS

FOR RELEASE



- 1 - Resident lectern all-in-one PC for presentation, on adjustable swivel arm
- 2 - Room control button panel
- 3 - Flip-top box with HDMI connection and charging (USB and 240V)

DRAWING DETAILS



TITLE: Standard Power Distribution (MML Series lecterns)
ROOM TYPE: Teaching Spaces
STATUS: For Release
DATE: May 2025
REVISION: 2
DRAWING NO:

CHANGE LOG

REV 2: Removed CSS (legacy) IP PDU board and replaced with Thor layout. Consolidated to 4 PDUs

LEGEND

DRAWN BY

Tom Jovanovic
 Senior DevOps Engineer
 M: +61 (0)429 984 283
 E: tom.jovanovic@newcastle.edu.au

John Gibson
 DevOps Engineering Specialist
 M: +61 (0)433 251 165
 E: john.a.gibson@newcastle.edu.au

Jefferson Dowley
 DevOps Engineering Specialist
 M: +61 (0)403 248 222
 E: jefferson.dowley@newcastle.edu.au

Interactive Technologies
 Digital Technology Services
 Resources Division

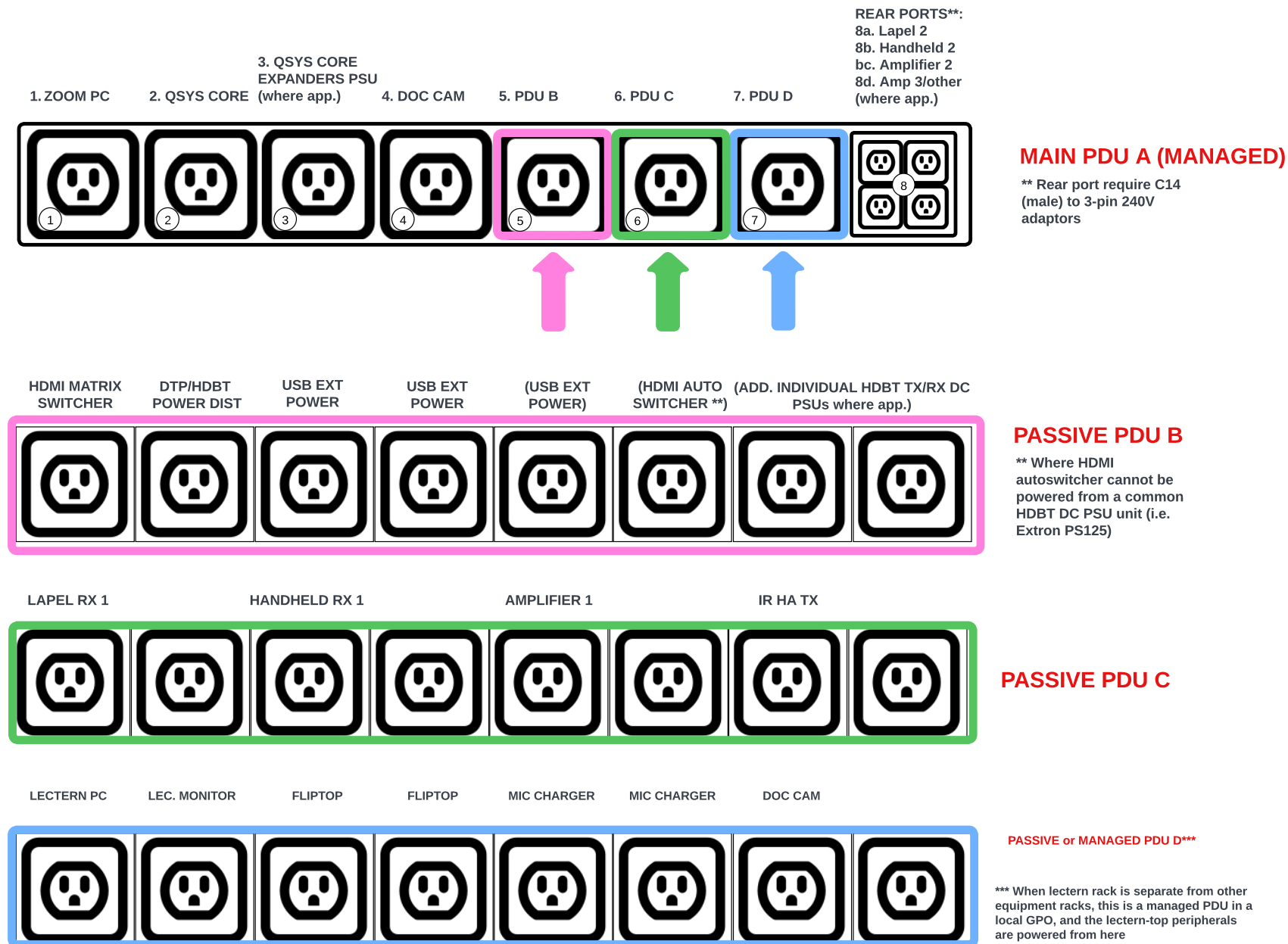
The University of Newcastle
 University Drive, Callaghan NSW 2308 Australia

All Schematics remain the intellectual property of the University of Newcastle.

DRAWING STATUS

FOR RELEASE

This diagram applies to MML series lecterns



REAR PORTS**:
 8a. Lapel 2
 8b. Handheld 2
 8c. Amplifier 2
 8d. Amp 3/other (where app.)

MAIN PDU A (MANAGED)

** Rear port require C14 (male) to 3-pin 240V adaptors

PASSIVE PDU B

** Where HDMI autoswitcher cannot be powered from a common HDBT DC PSU unit (i.e. Extron PS125)

PASSIVE PDU C

PASSIVE or MANAGED PDU D***

*** When lectern rack is separate from other equipment racks, this is a managed PDU in a local GPO, and the lectern-top peripherals are powered from here

DRAWING DETAILS



TITLE: Standard Network Switch Layouts
ROOM TYPE: Teaching Spaces
STATUS: For Release
DATE: May 2025
REVISION: 3
DRAWING NO:

CHANGE LOG

REV 3: Removed legacy switches and replaced with current series (catalyst 9200)

LEGEND

DRAWN BY

Tom Jovanovic
 Senior DevOps Engineer
 M: +61 (0)429 984 283
 E: tom.jovanovic@newcastle.edu.au

John Gibson
 DevOps Engineering Specialist
 M: +61 (0)433 251 165
 E: john.a.gibson@newcastle.edu.au

Jefferson Dowley
 DevOps Engineering Specialist
 M: +61 (0)403 248 222
 E: jefferson.dowley@newcastle.edu.au

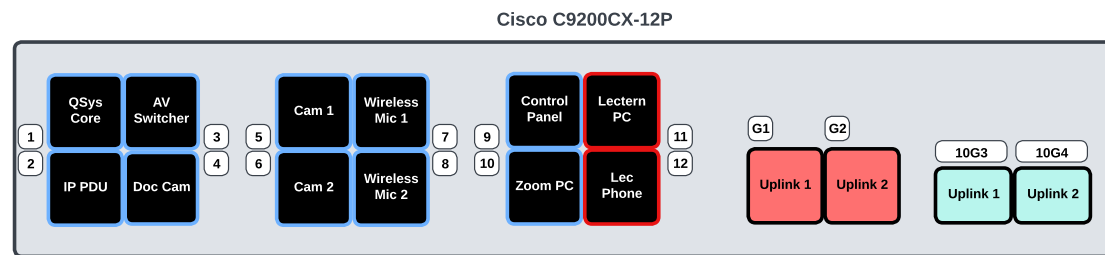
Interactive Technologies
 Digital Technology Services
 Resources Division

The University of Newcastle
 University Drive, Callaghan NSW 2308 Australia

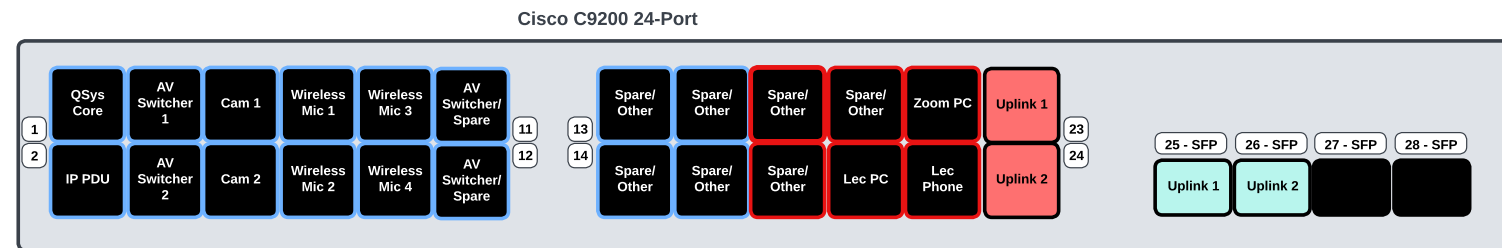
All Schematics remain the intellectual property of the University of Newcastle.

DRAWING STATUS

FOR RELEASE



CONFIGURATION
 LLDP ON
 Ports 1-10 - 10.13 only
 Port 11-12 - 802.1x
 Ports G1 and G2 - Uplinks
 Ports 10G3 and 10G4 - Fiber Uplinks



CONFIGURATION
 LLDP ON
 Ports 1-16 - 10.13 only
 Port 17-22 - 802.1x
 Ports 23-24 - Uplinks
 Ports 25-26 - Fiber Uplinks